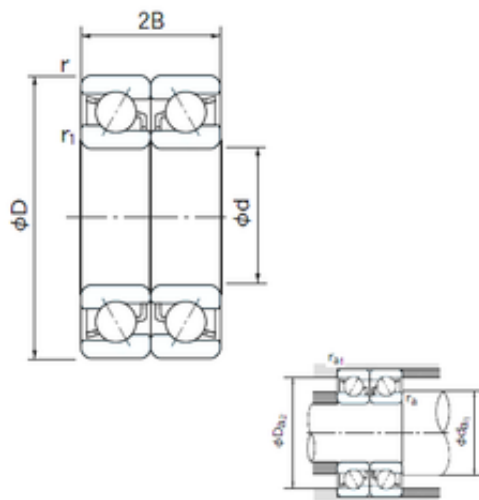




NTN PRECISION AXLE CORP.



35 mm x 72 mm x 17 mm NACHI 7207CDB
angular contact ball bearings

Bearing No. 7207CDB

7207CDB Bearing 2D drawings and 3D CAD models

Size	35x72x17 mm
Bore Diameter	35 mm
Outer Diameter	72 mm
Width	17 mm
d	35 mm
D	72 mm
B	17 mm
C	17 mm
Angle (°)	15 °
a -	2.8 mm
r min.	1.1 mm
r1 min.	0.6 mm
2B	34 mm
da min.	42 mm
Da max.	67 mm
ra max.	0.6 mm
Weight	0.295 Kg
Basic dynamic load rating (C)	49,5 kN
Basic static load rating (C0)	40 kN
(Grease) Lubrication Speed	12000 r/min
Bore Type	Cylindrical Bore
Enclosure	Open
Configuration	Duplex
Bore Size	35 mm
Outside Diameter	72 mm



NTN PRECISION AXLE CORP.

Width	17 mm
Fillet Radius/Chamfer	1.1 mm
r1	0.6 mm
Dynamic Load Rating	49,500 N
Static Load Rating	40,000 N
Limiting Speed - Grease	12,000 rpm
Limiting Speed - Oil	17,000 rpm
da1 (min)	42 mm
da2 (min)	42 mm
Da1 (max)	65 mm
Da2 (max)	67 mm
ra (max)	1 mm
ra1 (max)	0.6 mm