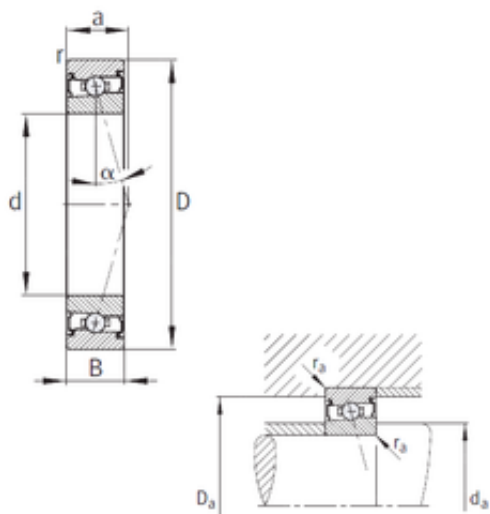




NTN PRECISION AXLE CORP.



15 mm x 32 mm x 9 mm FAG HCS7002-C-T-P4S angular contact ball bearings

Bearing No. HCS7002-C-T-P4S

Size	15x32x9 mm
Bore Diameter	15 mm
Outer Diameter	32 mm
Width	9 mm
d	15 mm
D	32 mm
B	9 mm
C	9 mm
Angle (°)	15 °
a	8 mm
r min.	0,3 mm
Da	29 mm
ra max.	0,3 mm
da	19 mm
Weight	0,033 Kg
Basic dynamic load rating (C)	2,6 kN
Basic static load rating (C0)	1,7 kN
(Grease) Lubrication Speed	70 000 r/min

HCS7002-C-T-P4S Bearing 2D drawings and 3D CAD models