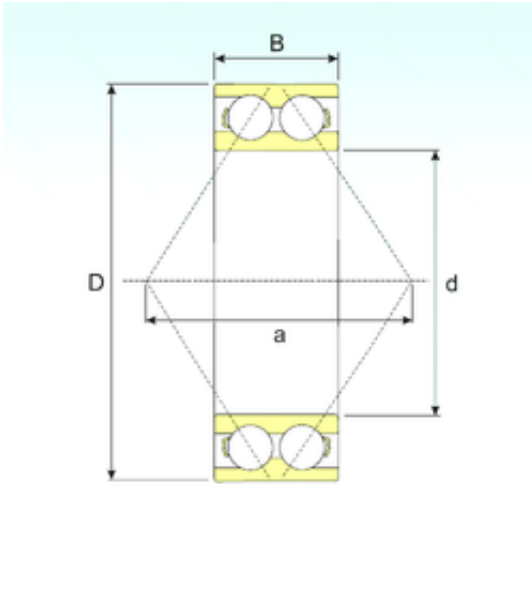




NTN PRECISION AXLE CORP.



12 mm x 32 mm x 15,9 mm CYSD 3201 angular contact ball bearings

Bearing No. 3201

Size	12x32x15.9 mm
Bore Diameter	12 mm
Outer Diameter	32 mm
Width	15,9 mm
d	12 mm
D	32 mm
B	15,9 mm
C	15,9 mm
r min.	0,6 mm
Weight	0,063 Kg
Basic dynamic load rating (C)	9,7 kN
Basic static load rating (C0)	7,15 kN
(Grease) Lubrication Speed	14000 r/min

3201 Bearing 2D drawings and 3D CAD models