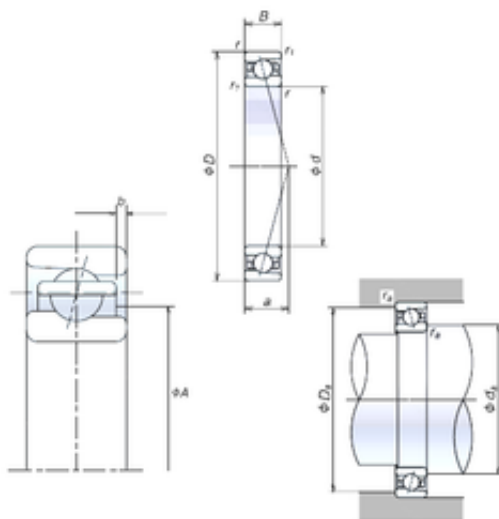




NTN PRECISION AXLE CORP.

75 mm x 115 mm x 20 mm NSK 75BER10S angular contact ball bearings

Bearing No. 75BER10S



75BER10S Bearing 2D drawings and 3D CAD models

Size	75x115x20 mm
Bore Diameter	75 mm
Outer Diameter	115 mm
Width	20 mm
d	75 mm
D	115 mm
B	20 mm
C	20 mm
Angle (°)	25 °
a	31,9 mm
b	1,7 mm
r min.	1,1 mm
r1 min.	0,6 mm
A	89 mm
da min.	82 mm
Da max.	108 mm
ra max.	1 mm
Weight	0,679 Kg
Basic dynamic load rating (C)	21,6 kN
Basic static load rating (C0)	19,8 kN
(Grease) Lubrication Speed	12700 r/min