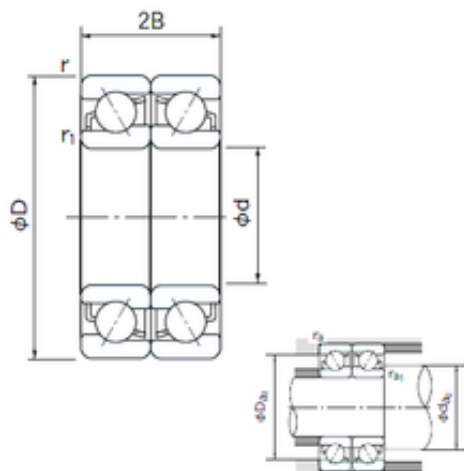




NTN PRECISION AXLE CORP.



100 mm x 180 mm x 34 mm NACHI 7220CDF
angular contact ball bearings

Bearing No. 7220CDF

7220CDF Bearing 2D drawings and 3D CAD models

Size	100x180x34 mm
Bore Diameter	100 mm
Outer Diameter	180 mm
Width	34 mm
d	100 mm
D	180 mm
B	34 mm
C	34 mm
Angle (°)	15 °
a -	0.8 mm
r min.	2.1 mm
r1 min.	1.1 mm
2B	68 mm
da min.	112 mm
Da max.	173 mm
ra max.	1 mm
Weight	3.32 Kg
Basic dynamic load rating (C)	244 kN
Basic static load rating (C0)	255 kN
(Grease) Lubrication Speed	4600 r/min
Bore Type	Cylindrical Bore
Enclosure	Open
Configuration	Duplex
Bore Size	100 mm
Outside Diameter	180 mm



NTN PRECISION AXLE CORP.

Width	34 mm
Fillet Radius/Chamfer	2.1 mm
r1	1.1 mm
Dynamic Load Rating	244,000 N
Static Load Rating	255,000 N
Limiting Speed - Grease	4,600 rpm
Limiting Speed - Oil	6,300 rpm
da1 (min)	112 mm
da2 (min)	112 mm
Da1 (max)	168 mm
Da2 (max)	173 mm
ra (max)	2 mm
ra1 (max)	1 mm