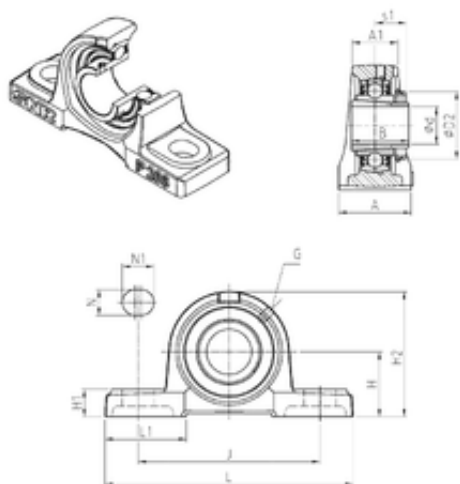




# NTN PRECISION AXLE CORP.



## SNR UKP316H bearing units

Bearing No. UKP316H

Bore Diameter	70 mm
d	70 mm
s1	44,5 mm
A	110 mm
A1	66 mm
B	78 mm
D2	105 mm
H	106 mm
H1	40 mm
H2	210 mm
J	300 mm
L	400 mm
L1	110 mm
N	27 mm
N1	40 mm
Thread (G)	M10x1
Weight	19,2 Kg
Basic dynamic load rating (C)	122,85 kN
B1	78 mm
d1	105 mm
G	M10x1
C	122.85 kN
C0	86.5 kN
T min.	-20 ° C
T max.	100 ° C
Adapter sleeve reference	H2316

UKP316H Bearing 2D drawings and 3D CAD models



## NTN PRECISION AXLE CORP.

Designation of housing	P316-
Designation of bearing	UK316G2H