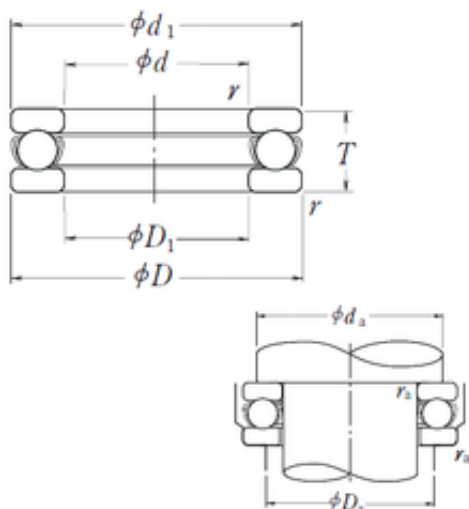




NTN PRECISION AXLE CORP.



NSK 51104 Bearing

Bearing No. 51104

Size	20x35x10 mm
Bore Diameter	20 mm
Outer Diameter	35 mm
Width	10 mm
d	20 mm
D	35 mm
T	10 mm
d1	35 mm
r min.	0,3 mm
D1	21 mm
da min.	29 mm
Da max.	26 mm
ra max.	0,3 mm
Weight	0,037 Kg
Basic dynamic load rating (C)	15,1 kN
Basic static load rating (C0)	26,6 kN
(Grease) Lubrication Speed	5300 r/min
Category	Thrust Ball Bearing
Inventory	0.0
Manufacturer Name	NSK
Minimum Buy Quantity	N/A
Weight / Kilogram	0.04
EAN	0029176026393
Product Group	B00308
Rolling Element	Ball Bearing
Thrust Bearing	Yes

51104 Bearing 2D drawings and 3D CAD models



NTN PRECISION AXLE CORP.

Single or Double Direction	Single Direction
Banded	No
Cage Material	Steel
Precision Class	Non-Precision
Component Description	Roller Assembly Plus Raceways
Other Features	Single Row With Flat Seat
Long Description	20MM Bore 1; 21MM Bore 2; 35MM Outside Diameter; 10MM Height; Ball Bearing; Single Direction; Not Banded; Steel Cage; Non-Precision
Inch - Metric	Metric
Category	Thrust Ball Bearings
UNSPSC	31171552
Harmonized Tariff Code	8482.10.50.08
Noun	Bearing
Keyword String	Ball Thrust
Manufacturer URL	http://www.nskamericas.com
Manufacturer Item Number	51104
Weight / LBS	0.08157
Outside Diameter	1.378 Inch 35 Millimeter
Height	0.394 Inch 10 Millimeter
Bore 2	0.827 Inch 21 Millimeter
Overall Height with Aligning Washer	0 Inch 0 Millimeter
Bore 1	0.787 Inch 20 Millimeter
bore diameter:	20 mm
static load capacity:	2710 kg
outside diameter:	35 mm
dynamic load capacity:	1540 kg
overall width:	10 mm



NTN PRECISION AXLE CORP.

operating temperature range:	Maximum of +120 ° C
thrust bearing type:	Single-Direction
maximum rpm:	8000 RPM
outside diameter design:	Straight
cage material:	Steel
separable or banded:	Separable
fillet radius:	0.3 mm
race type:	Flat
series:	511
precision rating:	ABEC 1 (ISO Class Normal)
SRI	3
hidYobi	51104
LangID	1
D_	35
SREX	0.03
C	15.1
B_	10
hidTable	ecat_NSSDTB
Oil rpm	8000
SRE	3
mass	0.037
GRS rpm	5300
ra	0.3
SRIX	0.03
D_a	26
SRIN	0
C0	26.6
SREN	0
D_1	21
Prod_Type3	TB_SD_WFS
da	29



NTN PRECISION AXLE CORP.

DA_	5.556
Z_	14
yobi	51104
SDM_	27.5
r	0.3
T_	10
KBRG	5111