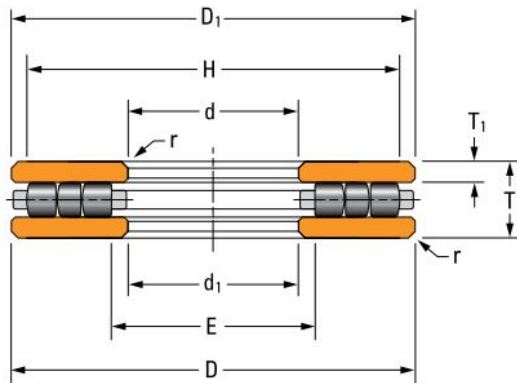




NTN PRECISION AXLE CORP.



J-903-A TIMKEN Tapered Roller Bearings Double-row

Bearing No. J-903-A

Weight	89.6 Kg
Bearing Type	Thrust Cylindrical Roller Bearings - TP
d - Bore Diameter	609.702 mm
D - Bearing O.D.	812.800 mm
B	101.727 mm
T1 - Ring Thickness	27.79 mm
d1 - Large Bore I.D.	609.60 mm
D1 - Small Diameter O.D.	812.80 mm
E - Shoulder Diameter - Housing	635.0 mm
H - Shoulder Diameter - Shaft	787.4 mm
r - Fillet Chamfer	6.4 mm
Static Load Rating	16700 kN
Dynamic Load Rating	3000 kN
Limiting Speed	520 rpm

J-903-A Bearing 2D drawings and 3D CAD models